

AVM5925XS



5MP



PoE



WDR



Mobile
Surveillance



H.265



Starlight

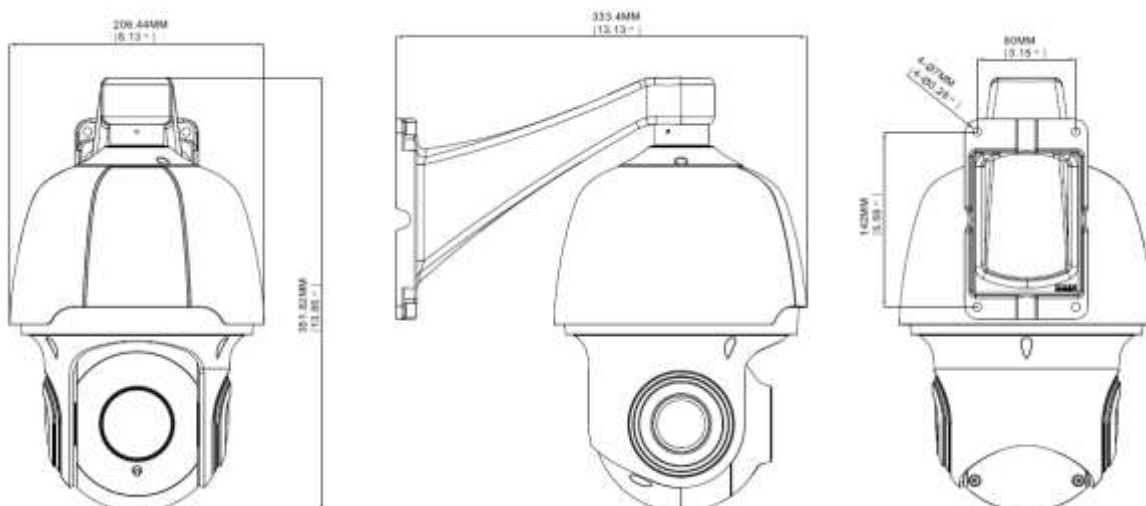


5MP H.265 IR Speed Dome IP Camera

FEATURES

- **POE (Power-over-Ethernet)** support to eliminate the use of power cables and reduce installation costs
- **ONVIF** (ONVIF) standard supported to simplify system integration
- **WDR** to increase image recognizability in overexposure and dark areas
- **Starlight visibility** to offer clear & color images even at night
- **Waterproof** design on the Ethernet cable connector
- **Remote Surveillance**
 - **Fully compatible** with **iOS** and **Android** devices, and **Internet Explorer** on Windows operating system

DIMENSIONS



Dimensional tolerance: ± 5mm

● SPECIFICATIONS*

Network	
LAN Port	YES
LAN Speed	10/100 Based-T Ethernet
Supported Protocols	TCP/IP, HTTP, DHCP, DNS, DDNS, RTP/RTSP, SMTP, NTP, UPnP, SNMP, HTTPS, FTP
ONVIF Compatible	YES (Profile S, Profile G, Profile T)
Security	(1) Multiple user access levels with password (2) IP address filtering (3) Digest authentication
Remote Access	Internet Explorer on Windows operating system
Video	
Network Compression	H.265+ /H.265 /H.264
Video Resolution	Main-stream: 5MP (2592x1944), 4MP (2592x1520), 3MP (2304x1296)/(2048x1535), 1080P(1920x1080), 720P(1280x720), Sub-stream: 720P(1280x720), VGA (640x480), QVGA (320x240) Mobile-stream: VGA (640x480), QVGA(320x240)
Video Output	1 Output: CVBS (BNC Type)
Transmission	3 Stream (Main / Sub / Mobile)
Bitrate control method	CBR / VBR
Camera	
Image Sensor:	1/2.7" Progressive CMOS image sensor
Effective Pixels:	2592x1944
Signal System:	PAL/NTSC
Lens	22X Optical Zoom
Focal Length	F1.6 ~ F3.0, 4.7mm -104mm
Angle of View	72~ 3.8 degree (Wide ~ Tele)
Minimum Illumination:	AGC On: Color: 0.5 lux, B/W: 0.05 lux, 0 lux with IR
White Balance:	Auto/Manual/Indoor
AGC	Auto/Manual
BLC	ON/OFF
Smart defog	Support
WDR	120 dB
Shutter Time:	1/5 - 1/20000
Day& Night:	IR cut filter with auto switch
Audio	
Input	1 Line-in
Output	1 Line-out
Alarm	
Input	1 input
Output	1 output
Infrared	
IR irradiation distance	150M

IR Diming function	Adjustable by zoom
Pan & Tilt	
Pan Range	360°endless
Tilt Range	-10°~95° (Auto Flip)
Pan Speed	0.6~200°/sec
Tilt Speed	0.6~100°/sec
Proportional Zoom	Rotation speed can be adjusted automatically according to zoom multiples
Preset	255
Preset Speed	Max.300°/sec
Tour	4 Tours/8 preset each
Pattern	4 Patterns
Scan	1 Scans
Home position	Preset / Tour / Scan / Pattern
General	
Water Proof	IP67
Working Temperature/Humidity:	-30°C~+60°C, <90% (outdoor)
Weight	Approx. 2kg
Power Supply	AC 24V/DC 12V/POE
Others	
Mobile Surveillance	iOS & Android mobile devices
Motion Detection	YES
Event Notification	FTP / Email / SMS
RTC (real-time clock)	YES
Minimum Web Browsing Requirements	<ul style="list-style-type: none"> ·Intel core i3 or higher, or equivalent AMD ·2GB RAM ·AGP graphics card, Direct Draw, 32MB RAM ·Windows 10, Windows 8, Windows 7, Windows Vista & Windows XP, DirectX 9.0 or later ·Internet Explorer 7.x or later (Windows Edge not supported)

*The specifications are subject to change without notice.